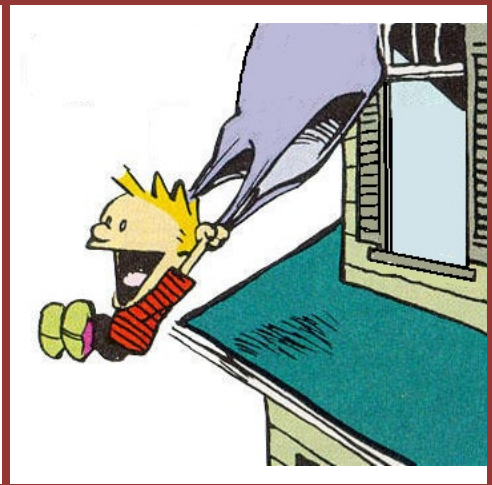


WINDOW FALL PROTECTION



This handout is intended only as a guide and is based in part on the 2020 Minnesota State Building Code, Maple Grove City ordinances, and good building practice. While every attempt has been made to insure the correctness of this handout, no guarantees are made to its accuracy or completeness. Responsibility for compliance with applicable codes and ordinances falls on the permit applicant. For specific questions regarding code requirements, refer to the applicable codes or contact your local Building Department.

R312.2 Window fall protection. Window fall protection shall be provided in accordance with Sections R312.2.1 for window sills and R312.2.2 for window opening control devices.

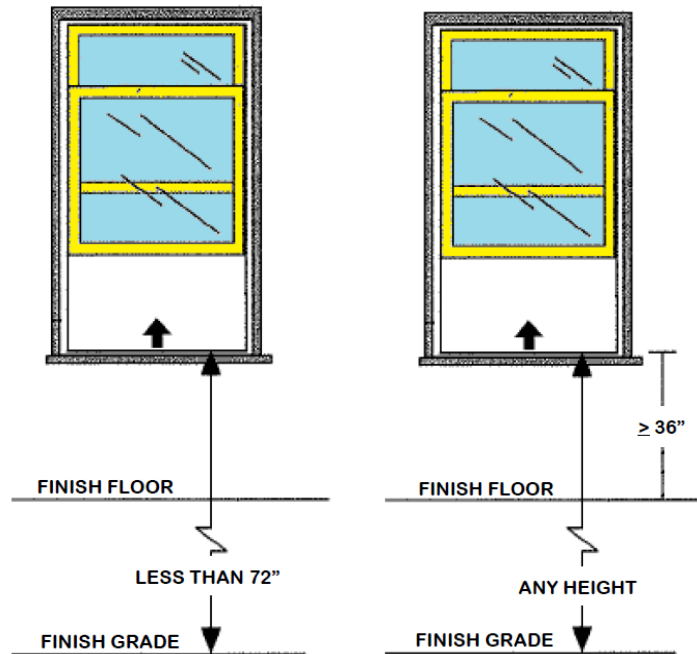
R312.2.1 Window sills. In dwelling units, where the lowest part of the opening of an operable window is located more than 72 inches above the finished grade or surface below, the lowest part of the window opening shall be a minimum of 36 inches above the finished floor of the room in which the window is located. Operable sections of windows shall not permit openings that allow passage of a 4-inch diameter sphere where such openings are located within 36 inches of the finished floor.



Exceptions:

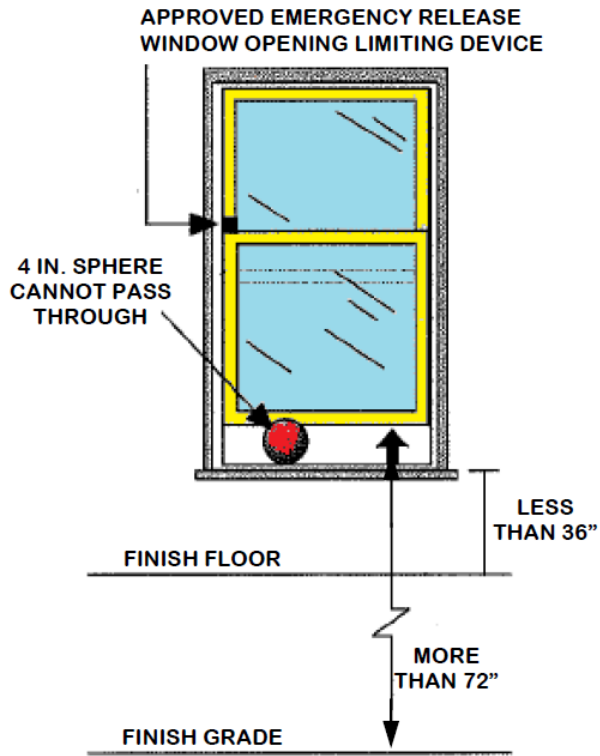
1. Windows whose openings will not allow a 4-inch-diameter (102 mm) sphere to pass through the opening when the opening is in its largest opened position.
2. Openings that are provided with window fall prevention devices that comply with ASTM F 2090.
3. Windows that are provided with window opening control devices that comply with Section R312.2.2.
4. Replacement windows.

R312.2.2 Window opening control devices. Window opening control devices shall comply with ASTM F 2090. The window opening control device, after operation to release the control device allowing the window to fully open, shall not reduce the minimum net clear opening area of the window unit to less than the area required by Section R310.2.1.

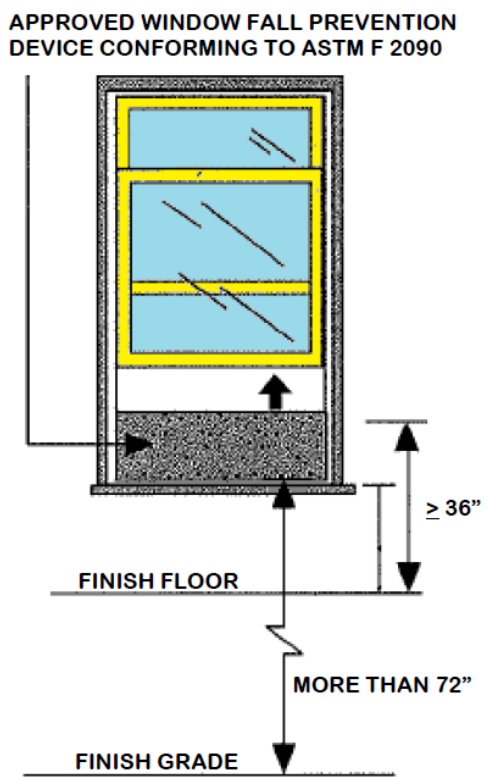


FALL PROTECTION *NOT* REQUIRED IF DISTANCE FROM FINISH GRADE TO LOWEST PART OF WINDOW OPENING IS LESS THAN 72 INCHES

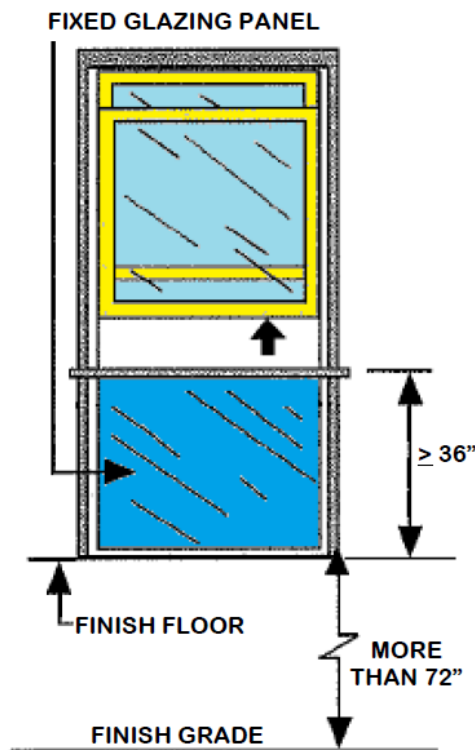
FALL PROTECTION *NOT* REQUIRED IF DISTANCE FROM FINISH FLOOR TO LOWEST PART OF WINDOW OPENING IS 36 INCHES OR MORE



FALL PROTECTION PROVIDED BY EITHER LIMITING WINDOW OPENING SO A 4 IN SPHERE WILL NOT PASS THROUGH OR BY APPROVED EMERGENCY RELEASE WINDOW OPENING LIMITING DEVICE



FALL PROTECTION PROVIDED BY FALL PREVENTION DEVICE CONFORMING TO ASTM F 2090



FALL PROTECTION PROVIDED BY FIXED GLAZING PANEL TO A HEIGHT OF 36 INCHES OR MORE