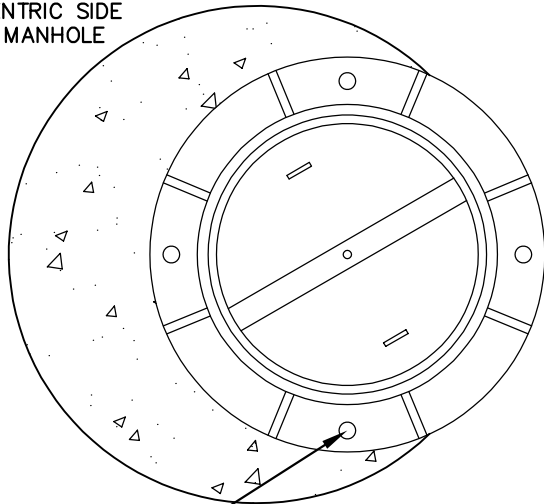
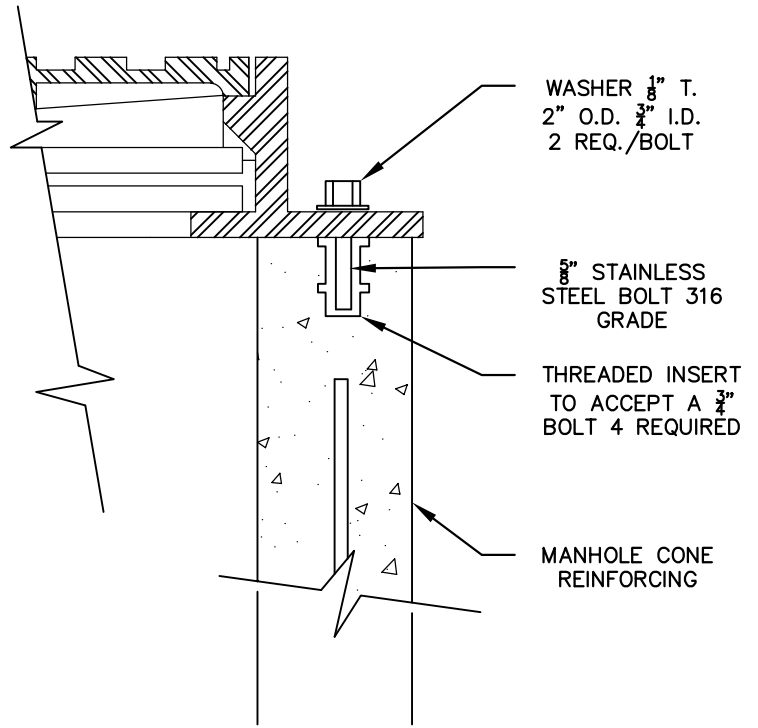


ECCENTRIC SIDE
OF MANHOLE



4 - 1" DIAMETER
HOLES IN MANHOLE
FRAME EVENLY
SPACED

PLAN VIEW
TOP COVER REMOVED



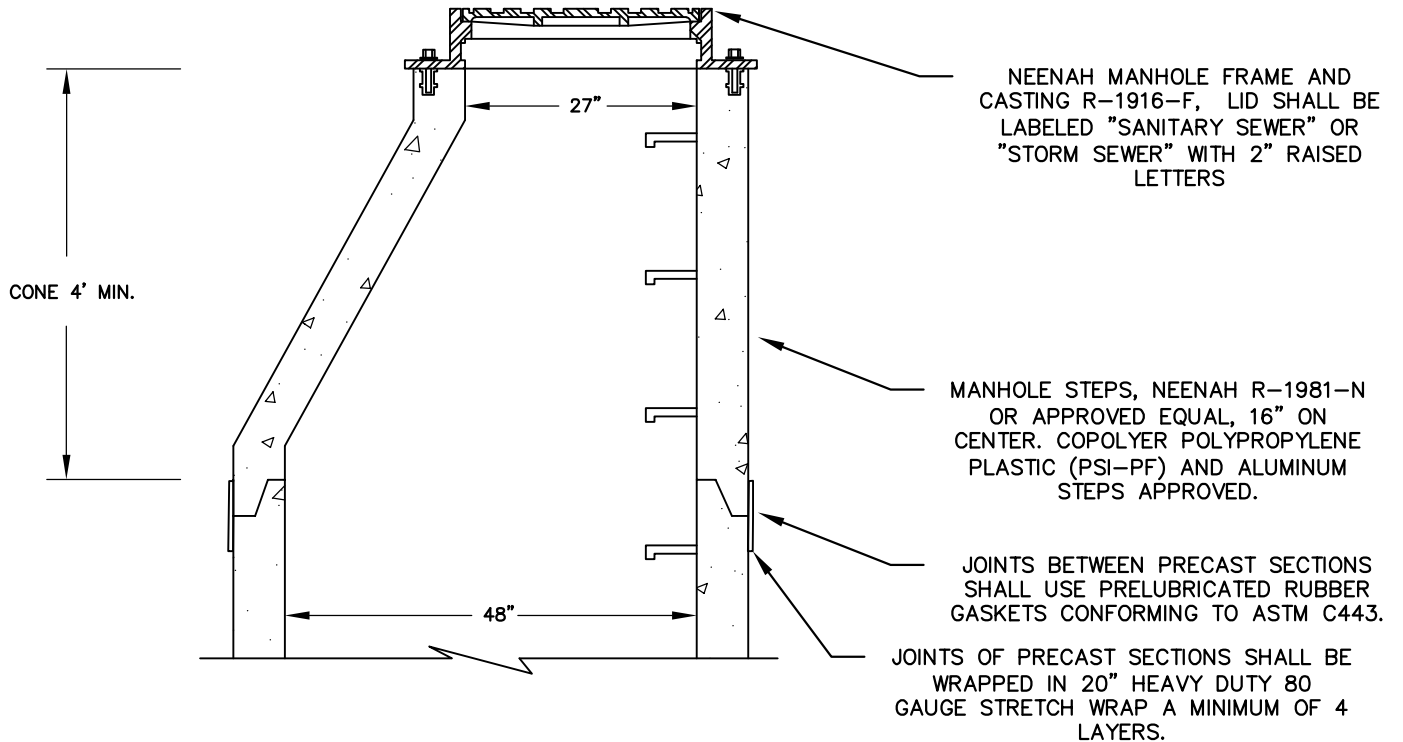
WASHER $\frac{1}{8}$ " T.
2" O.D. $\frac{3}{4}$ " I.D.
2 REQ./BOLT

$\frac{5}{8}$ " STAINLESS
STEEL BOLT 316
GRADE

THREADED INSERT
TO ACCEPT A $\frac{3}{4}$ "
BOLT 4 REQUIRED

MANHOLE CONE
REINFORCING

TIE DOWN DETAIL



NEENAH MANHOLE FRAME AND
CASTING R-1916-F, LID SHALL BE
LABELED "SANITARY SEWER" OR
"STORM SEWER" WITH 2" RAISED
LETTERS

MANHOLE STEPS, NEENAH R-1981-N
OR APPROVED EQUAL, 16" ON
CENTER. COPOLYMER POLYPROPYLENE
PLASTIC (PSI-PF) AND ALUMINUM
STEPS APPROVED.

JOINTS BETWEEN PRECAST SECTIONS
SHALL USE PRELUBRICATED RUBBER
GASKETS CONFORMING TO ASTM C443.

JOINTS OF PRECAST SECTIONS SHALL BE
WRAPPED IN 20" HEAVY DUTY 80
GAUGE STRETCH WRAP A MINIMUM OF 4
LAYERS.

ECCENTRIC
WATERTIGHT MANHOLE