

NOTES:

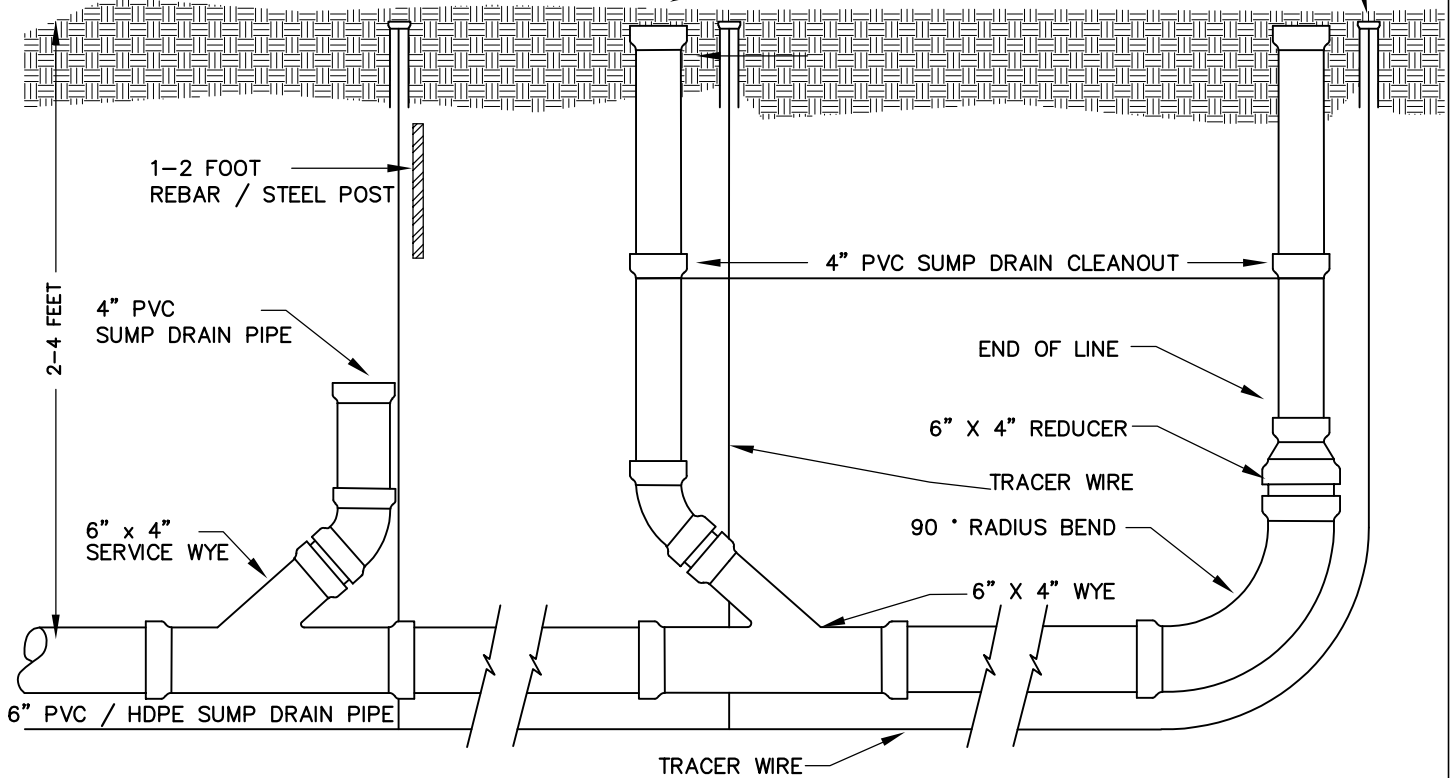
INSTALL CLEANOUTS AT 300 FOOT INTERVALS AND AT DEAD ENDS.
 CLEAN OUT SERVICE TIES SHALL BE RECORDED WITH CITY
 PROPERTY RECORDS AND UTILITY AS BUILT RECORDS.

SCH 40 PVC SHALL BE USED FOR SUMP DRAIN, WYES/TEES.

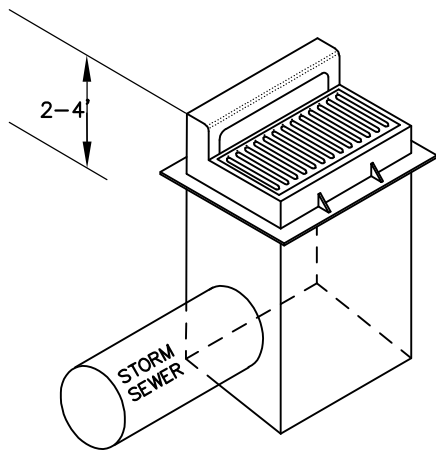
A FLEXIBLE SADDLE TEE/WYE SHALL BE A FERNCO BRAND OR
 APPROVED EQUAL WHEN HDPE PIPE IS USED FOR SUMP DRAIN.
 WHEN A FERNCO IS INSTALLED THE CONTRACTOR SHALL INSTALL
 A CONCRETE COLLAR AROUND THE ENTIRE FERNCO AT NO
 ADDITIONAL COST TO THE CITY.

TRACER WIRE SHALL RUN THE
 FULL LENGTH OF CLEANOUT
 AND BE INSTALLED IN A
 TRACER WIRE ACCESS BOX
 CONFORMING TO MAPLE GROVE
 STANDARD PLATE STS-8. (TYP.)

ALL PVC CLEANOUTS SHALL BE
 3 INCHES BELOW FINISHED
 GRADE AND HAVE A FITTING
 CLEANOUT - WITH THREADED
 PLUG (SCHEDULE 40). (TYP.)



SUMP DRAIN SERVICE CONNECTION



TYPICAL SUMP TO CATCH BASIN CONNECTION

WHERE NOTED, INSTALL 6" PIPE INTO BACK OF
 CATCH BASIN FOR SUMP CONNECTIONS. IF NOT
 USED, CAP FOR FUTURE CONNECTION. FUTURE
 CONNECTIONS TO EXTEND 3' BEHIND CATCH BASIN.

