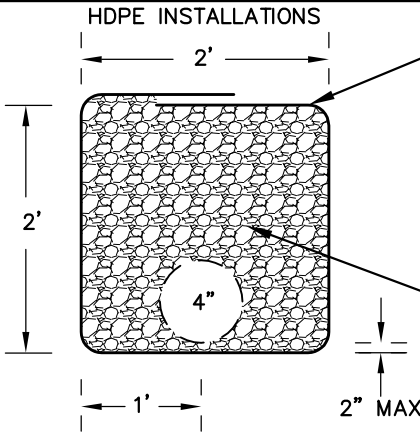


**COURSE FILTER AGGREGATE DETAIL**



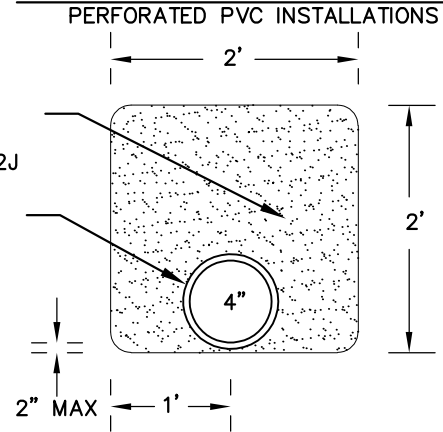
TYPE 1 FILTER FABRIC MNDOT 3733

FINE FILTER AGGREGATE MNDOT 3149.2J

PROTECTIVE WRAP MNDOT 3245 & 3278

COURSE FILTER AGGREGATE MNDOT 3149.2H

**FINE FILTER AGGREGATE DETAIL**



**NOTES:**

2" MAX. DEPTH OF FINE (OR COURSE) FILTER AGGREGATE AT ALL POINTS BELOW PIPE.

SUMP DRAINS SHALL BE 6" SCHEDULE 40 PVC, DRAIN TILE SHALL BE 4" HDPE.

WHEN USING THE FINE FILTER AGGREGATE BASE THE 4" PIPE MUST HAVE A PROTECTIVE WRAP, MEETING MN/DOT 3245 AND 3278 SPECS.

WHEN USING THE COURSE FILTER AGGREGATE BASE THE TRENCH MUST BE LINED WITH TYPE I FILTER FABRIC MEETING MN/DOT SPEC. 3733



LAST REVISION  
JANUARY 2021

**PVC SUBDRAIN INTO LOW POINT CATCH BASIN (NEW CONSTRUCTION)**

CITY OF MAPLE GROVE ENGINEERING & PUBLIC WORKS DEPARTMENTS

STANDARD PLATE #  
STS-10A