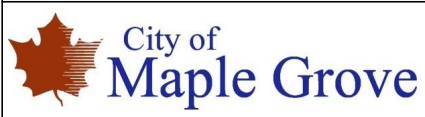
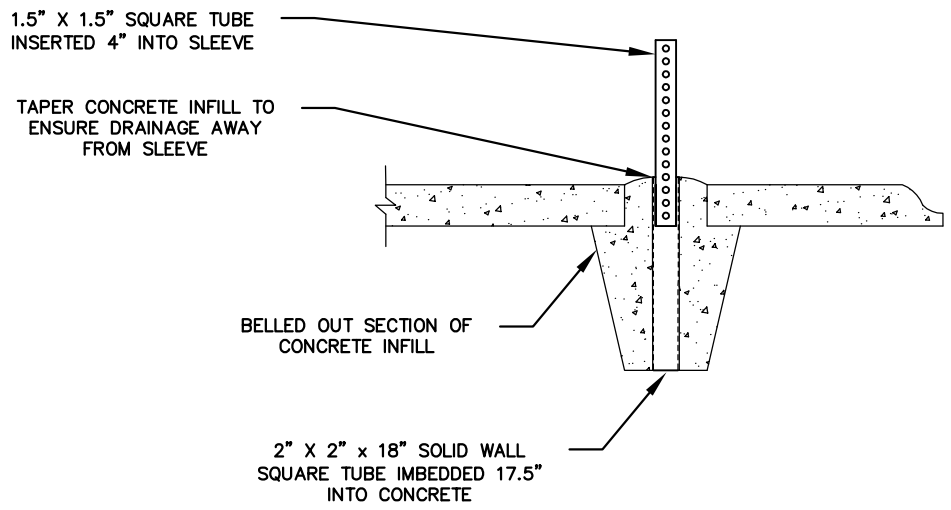


- SIGN INSTALLED IN CONCRETE SHALL HAVE AN APPROVED BREAK-AWAY DEVICE. THIS DEVICE CAN BE PICKED UP OR DELIVERED BY PUBLIC WORKS CONTACT PUBLIC WORKS SIGN SHOP FOR DETAILS.
- CREATE AN OVERSIZE CONCRETE WEDGE UNDER FLAT WORK TO PREVENT SLEEVE FROM BEING REMOVED.
- 2" X 2" BY 18" LONG SLEEVE SHALL BE INSTALLED WITH A 1/2" LIP PROTRUDING FROM TOP OF FLATWORK. CONCRETE FINISHING WORK FOR POST SHOULD PROMOTE DRAINAGE AWAY FROM SLEEVE.
- 1.5" X 1.5" BY 18" 12 GA. PRE-PUNCHED GALVANIZED SQUARE TUBE SHOULD BE INSERTED 4" INTO SLEEVE TO ENSURE PROPER BREAK-AWAY.

BREAK-AWAY/SLEEVE DETAIL



SIGN POST BREAK-AWAY ASSEMBLY

STANDARD PLATE # SGN-4

LAST REVISION JANUARY 2019

CITY OF MAPLE GROVE ENGINEERING & PUBLIC WORKS DEPARTMENTS